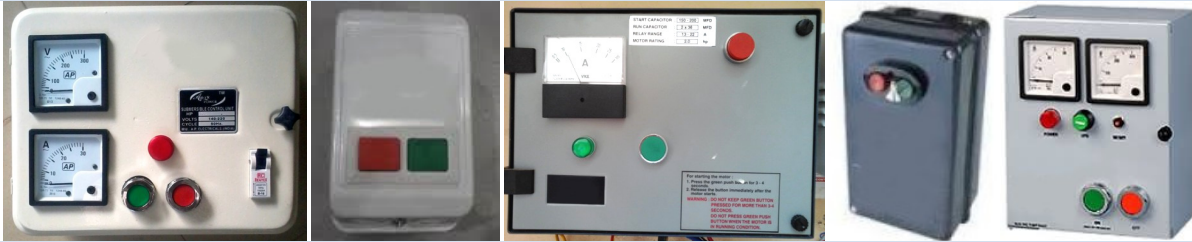


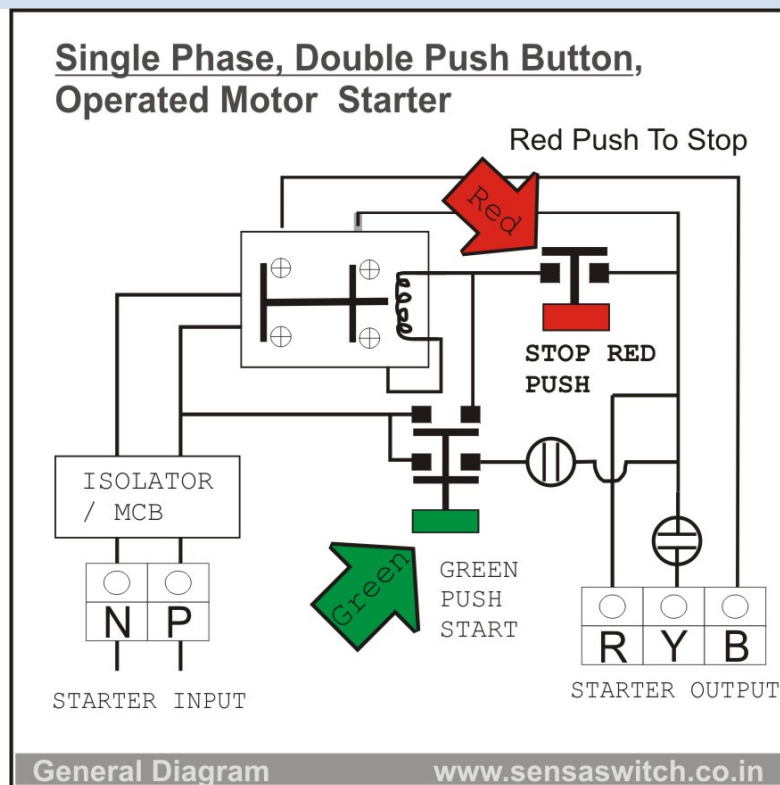
SensaSwitch Model – OC-2 / ALC-2 Connections

Single Phase, Double Push Button Starters



Above single phase, water pump starters have two push buttons to operate pump set, green push button to start and red push button to stop. In these starters red push and green push buttons operate a contactor / relay to start and stop water pump motor.

General Diagram of Double Push Starter



Green push button may have two switches in parallel, one to operate contactor / relay and other to pass start capacitor current. SensaSwitch provides proper auto – start and auto – stop control devices for above starters. For details please check OC-2 / ALC-2 pages at our website contact us at any of our mentioned contacts.