

SensaSwitch – Auto Pit Level Control

Model –APLC-3



Control Function

- **APLC-3, is fully automatic control to automate three (III) phases pump sets (DoL/ Start Delta)**
- It automatically starts water pump when water reaches full / high level.
- It automatically stops water pump when underground water tank level reaches low level.

Important Features

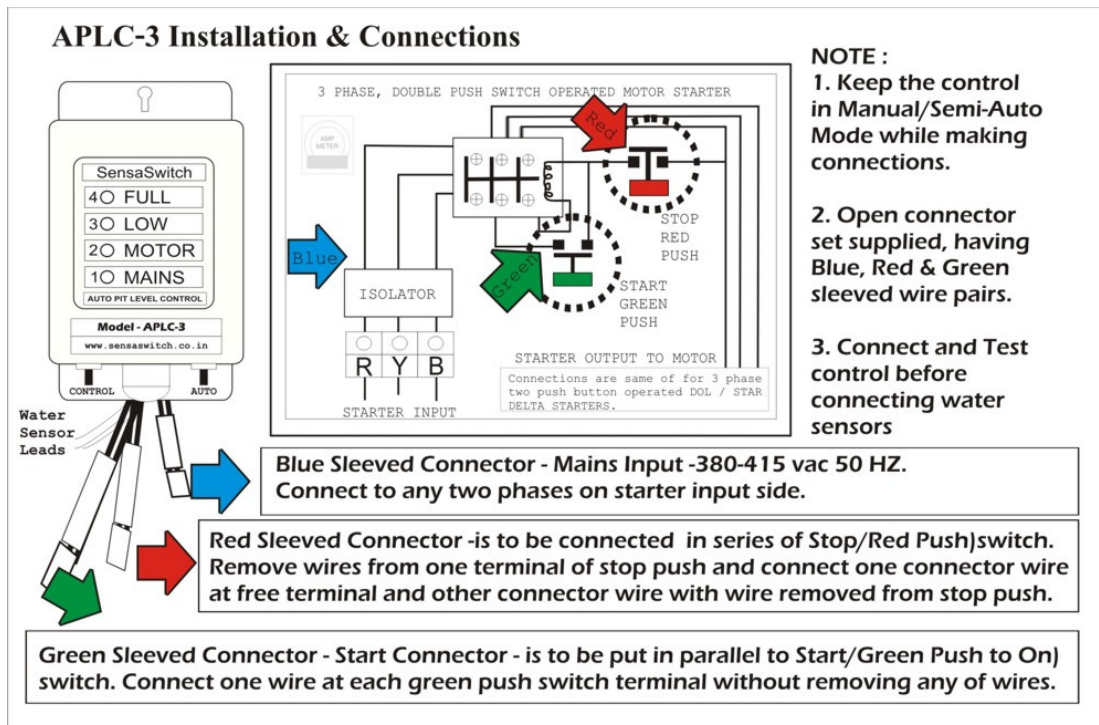
- Panel indications for Full & Low water level in pit.
- AUTO- by pass toggle switch to enable / disable auto-start function.
- CONTROL – by pass toggle switch to enable / disable both start and stop functions.
- Supplied with water sensors for specified water type (raw/ processed/ waste)
- Easy to understand & install with color coded input, output and sensing signal connections.

Water Sensor Set



- Maintenance free water sensors, for waste water (sewage / storm/ sludge) water.
- Suitable for use in water at normal ambient temperatures (5- 50 degree Celsius).

Installation & Connections



- Main control unit must be installed at a place safe from rain water and splashes.
- Water sensors should be placed in freely hanging position in water tank (no fixing required).
- 2 pair telephone signal wire .40mm copper recommended for use as signal wire.

Please contact us / send an email to receive detailed product manual