

## SensaSwitch – Dry Run Protector

### Model –DRP-3



### Control Function

- DRP-3, is semi-automatic control to protect III phase (DoL/Start Delta) pumps from dry running.
- It automatically stops water pump when underground water tank level reaches low level.
- It also provides output for auto-overhead control (optional)

### Important Features

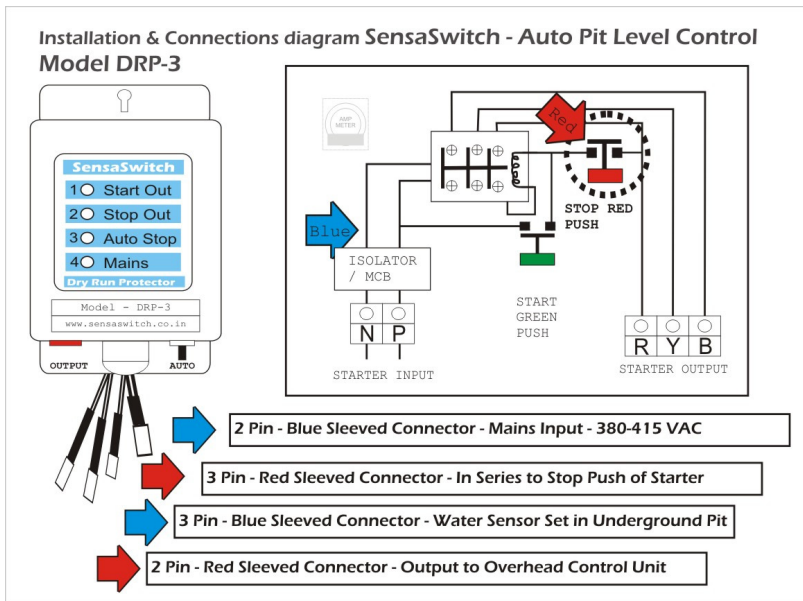
- Panel indications for start & stop sensor out of water.
- Panel indication for enabled auto atop mode
- Auto stop enable and disable toggle
- Optional output for overhead control connections

Water Sensor Set



- Maintenance free water sensors, for raw (unprocessed tap/ground/ sea) water.
- Not suitable for processed (Dm/ Ro) waters and waste (sewage / storm/ sludge) water.
- Suitable for use in water at normal ambient temperatures (5- 50 degree Celsius).

Installation & Connections



- Main control unit must be installed at a place safe from rain water and splashes.
- Water sensors should be placed in freely hanging position in water tank (no fixing required).
- 2 pair telephone signal wire .40mm copper recommended for use as signal wire.

Please contact us / send an email to receive detailed product manual