
SensaSwitch – Low Level Alarm – Model –LLA



Control Function

- It sounds a bird beep alarm water tank reaches low level.
- It helps you avoid “no water” situation due to empty overhead water tank.
- It is also used to avoid dry running of water pump due to “no water” in supply tank.

Important Features

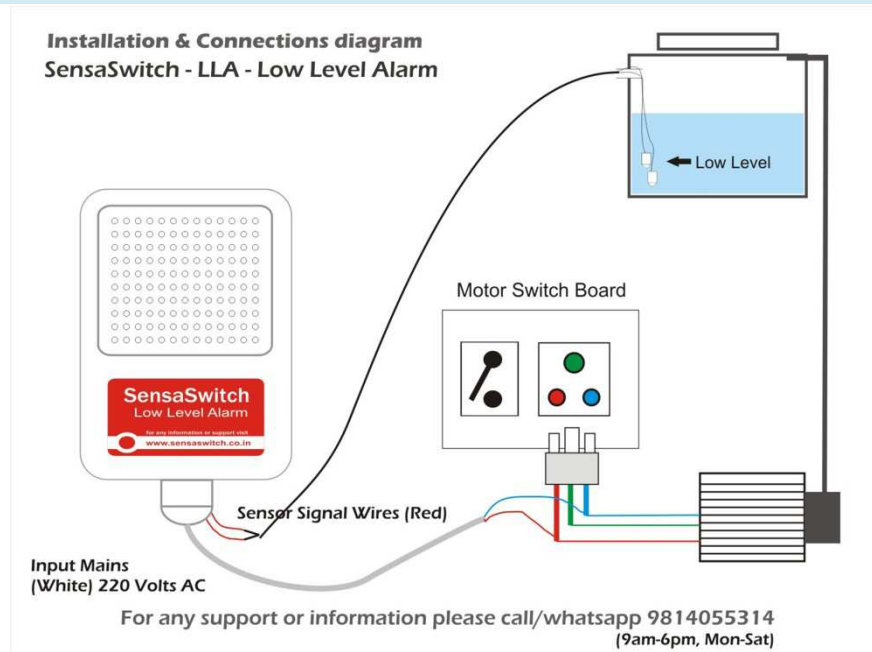
- Completely safe, uses transformer supply for fool proof insulation from mains.
- Completely without maintenance, no periodic cleaning of sensors needed.
- 75-85 decibel melody alarm, as permitted by noise control regulations.
- Easy to install, need basic electrical know how and tools only.

Water Sensor Set



- Maintenance free water sensors, for raw (unprocessed tap/ground/ sea) water.
- Not suitable for processed (Dm/ Ro) waters and waste (sewage / storm/ sludge) water.
- Suitable for use in water at normal ambient temperatures (5- 50 degree Celsius).

Installation & Connections



- Main control unit must be installed at a place safe from rain water and splashes.
- Water sensors should be placed in freely hanging position in water tank (no fixing required).
- To connect water sensors to main unit telephone signal wire .40mm copper is recommended.

For Prices - Please check our website or contact us at contacts mentioned below

SensaSwitch - Warranty Policy Terms & Conditions

SensaSwitch - Water Level Control System, including main control and water sensors are warranted against any kind of manufacturing defects for ONE YEAR (unless specified otherwise) starting from date of invoice. Any defective unit shall be replaced/ repaired by SENSASWITCH ELECTRONIC SYSTEMS at its option, free of charge, subject to following terms and conditions;

1) Any Claim for Free of Charge replacement / repair must be made in written specifically mentioning

- 1.1 The defect observed in the product
- 1.2 Product Description (model, control ID)
- 1.3 Purchase Details (Bill / Invoice Number, Date of Purchase)

Claim for replacement / repair without above details / documents shall be invalid.

2) SensaSwitch warranty is limited to SensaSwitch make components only, which includes main control unit and sensors only, excluding any other materials used at site during installation of SensaSwitch control system.

3) SensaSwitch warranty is limited to reported defects observed and verified during checking and testing at SensaSwitch Works / SensaSwitch Identified Service facility only. Any defects which are not verified during checking / testing are not covered in this warranty.

4) SensaSwitch warranty is limited to genuine manufacturing defects only, excluding defects/ damage due to any of following

- 4.1 Usage of SensaSwitch product for purposes / specifications other than specified
- 4.2 Non- conformance to installation and commissioning instructions as specified
- 4.3 Mishandling/Negligence on part of customers including physical/functional defects
- 4.4 Site specific causes such as low volts/ electrical earthing/ lightning strikes
- 4.5 Removal of Fuses or replacement with fuses of incorrect rating

For any defects / damages other than above specified, SensaSwitch (e) Systems reserves the right to determine whether the defect / damage observed is genuine manufacturing defect or not. Decision of SENSASWITCH SYSTEMS in this regard and regarding the applicability of this warranty shall be final.

5) SENSASWITCH SYSTEMS reserves the right to charge from customer

- 5.1 Any services required by customer at customer site
- 5.2 Any repairs / replacements required for other than genuine manufacturing defects

The charges applicable shall be payable by customer in advance.

6) SENSASWITCH (e) SYSTEMS warranty is limited to repair or replacement of SensaSwitch control system/ components at SENSASWITCH SYSTEMS office and works only. Customer shall arrange on its own to bring defective control/ part to SENSASWITCH SYSTEMS identified service facilities.

7) SENSASWITCH (e) SYSTEMS warranty excludes consequential damage of any kind. SensaSwitch liability in all circumstances is limited to listed price of item. SensaSwitch Electronic Systems reserves the right to deduct any overhead/ service charges incurred.

8) SENSASWITCH(e) SYSTEMS warranty is null and void if

- 8.1 Warranty sealing of control device / sensors is tampered / damaged in any way
- 8.2 Any payment is outstanding from customer

9) Disputes if any related to SensaSwitch Sale, performance or any other purpose are subject to jurisdiction of courts of Patiala only.

10) You are deemed to have read, understood and agreed to SensaSwitch warranty terms and conditions at the time of purchase. If you have any issues with respect to SensaSwitch warranty terms, please bring it to the notice of SENSASWITCH ELECTRONIC SYSTEMS in written, within FIFTEEN days from date of invoice, otherwise you are deemed to have accepted SensaSwitch warranty terms and conditions as specified above.

You can contact us any of contacts mentioned below

SENSASWITCH ELECTRONIC SYSTEMS

71A, LONG STREET, SHEKHPURA

PATIALA PB 147002