

SensaSwitch – Auto Level Control

Model – ALC-2



Control Function

- ALC-2 is fully automatic control for single phase (180-220Vac), double push, green push to start and red push to stop operated pump sets up to 3 hp.
- It automatically starts water pump when overhead water tank level falls below half level.
- It automatically stops water pump when overhead water tank level reaches full level.

Important Features

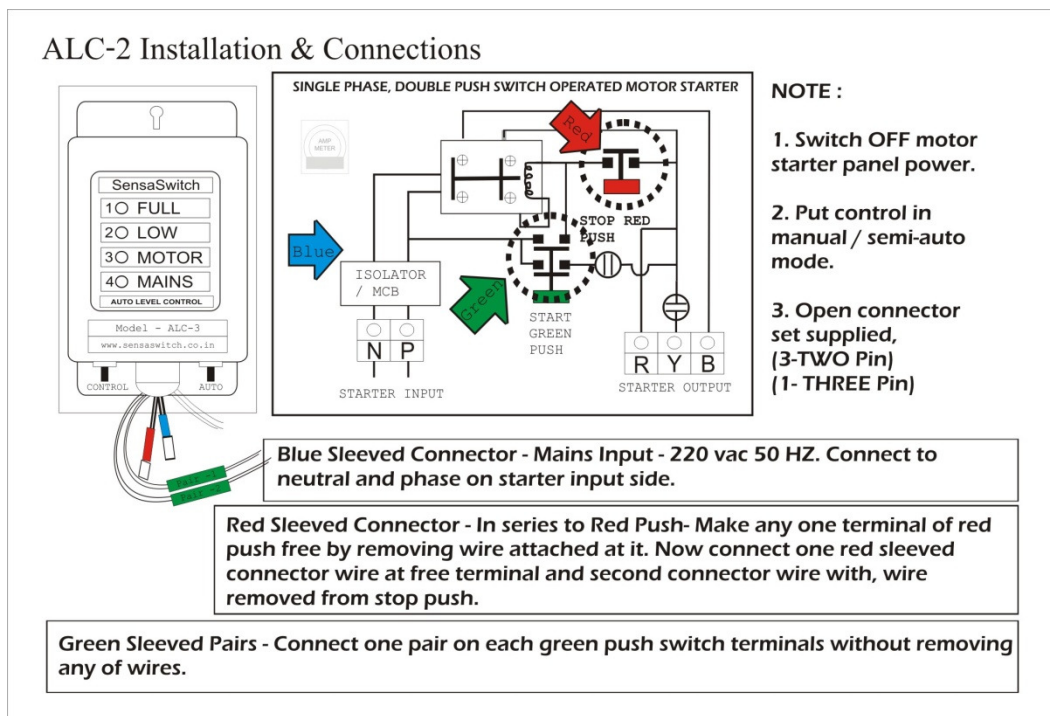
- Water tank half & low water level indications on panel.
- Auto toggle to select only auto-stop mode (if needed) by disabling automatic start, if needed.
- Control toggle to select manual if needed by disabling auto-start as well as auto-stop function.
- Pre-connected maintenance free water sensor set, suitable for most water tanks.
- Easy to understand & install with color coded input, output and sensing signal connections.

Water Sensor Set



- Maintenance free water sensors, for raw (unprocessed tap/ground/ sea) water.
- Not suitable for processed (Dm/ Ro) waters and waste (sewage / storm/ sludge) water.
- Suitable for use in water at normal ambient temperatures (5- 50 degree Celsius).

Installation & Connections



- Main control unit must be installed at a place safe from rain water and splashes.
- Water sensors should be placed in freely hanging position in water tank (no fixing required).
- 2 pair telephone signal wire .40mm copper recommended for use as signal wire.

Please contact us / send an email to receive detailed product manual

Call / whatsapp: 9814055314, Email: mail@sensaswitch.co.in , Website: www.sensaswitch.co.in