

SensaSwitch – Auto Water Lifter Control

Model – AWLC-1



Control Function

- AWLC-1 ensures plenty of water with peace of mind for people living in multi-storey buildings in water shortage areas (low water supply pressure areas).
- It automatically starts water pump when overhead tank becomes low and lower (ground level / under-ground) water tank has sufficient water in it.
- It stops water pump automatically when either overhead water tank reaches full level or lower (under-ground/ground level) water tank becomes empty.

Important Features

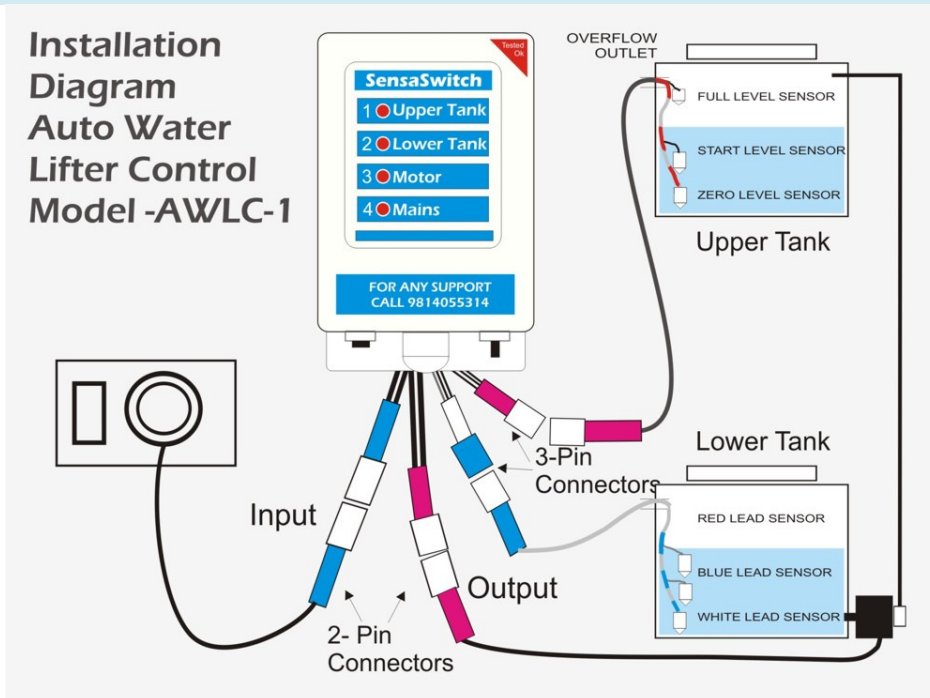
- Upper & Lower water tank level low indications on panel.
- Auto / Manual toggle switch to run pump manually if needed.
- Pre-connected maintenance free water sensor sets, suitable for most water tanks.
- 10 amps rated control switch to run single phase, single switch operated pump set up to 1 Hp.
- Easy to understand and install with mains power and water sensor signal connectors.

Water Sensor Set



- Maintenance free water sensors, for raw (unprocessed tap/ground/ sea) water.
- Not suitable for processed (Dm/ Ro) waters and waste (sewage / storm/ sludge) water.
- Suitable for use in water at normal ambient temperatures (5- 50 degree Celsius).

Installation & Connections



- Main control unit must be installed at a place safe from rain water and splashes.
- Water sensors should be placed in freely hanging position in water tank (no fixing required).
- 2 pair telephone signal wire .40mm copper recommended for use as signal wire.

Please contact us / send an email to receive detailed product manual