

SensaSwitch – Overflow Control

Model – OC-3



Control Function

- It indicates water tank full, half and low level position.
- It automatically stops water pump when overhead water tank reaches full level.
- Motor start remains manual from green push button on motor starter.

Important Features

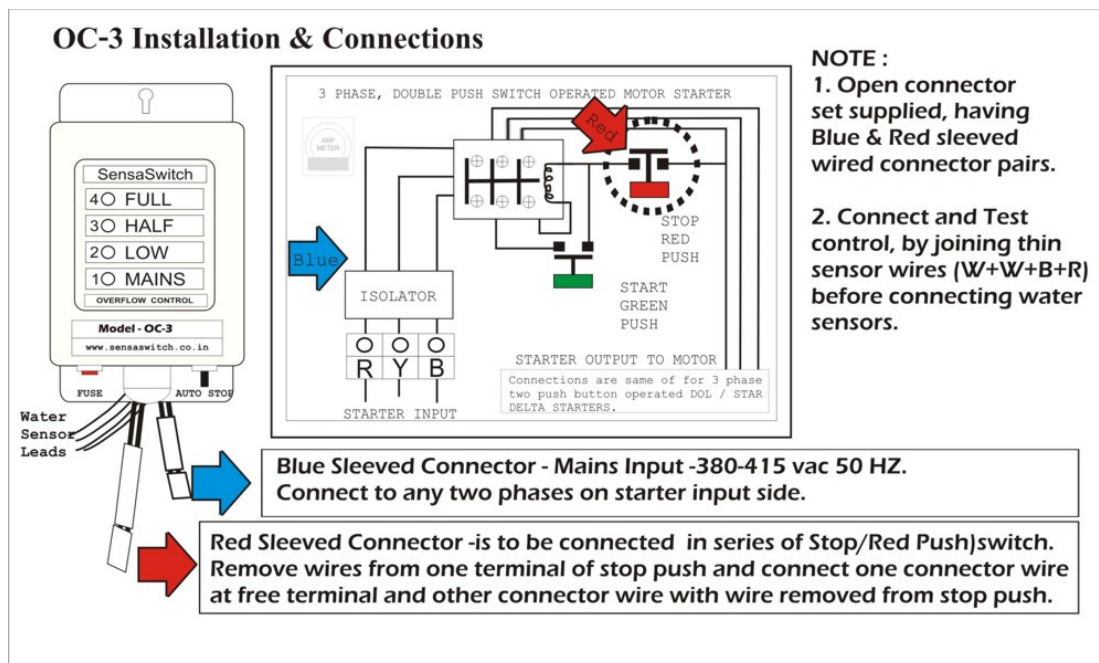
- Water tank full, half & low water level indications on panel.
- Auto select toggle switch to disable auto stop function, if needed.
- Pre-connected maintenance free water sensor set to suit most water tanks.
- Control for single phase, double push (green to start / red to stop) switch operated pumps.
- Easy to understand & install with color coded input, output and sensing signal connections.

Water Sensor Set



- Maintenance free water sensors, for raw (unprocessed tap/ground/ sea) water.
- Not suitable for processed (Dm/ Ro) waters and waste (sewage / storm/ sludge) water.
- Suitable for use in water at normal ambient temperatures (5- 50 degree Celsius).

Installation & Connections



- Main control unit must be installed at a place safe from rain water and splashes.
- Water sensors should be placed in freely hanging position in water tank (no fixing required).
- Two pair telephone signal wire .40mm copper recommended for use as signal wire.

Please contact us / send an email to receive detailed product manual

Call / whatsapp: 9814055314, Email: mail@sensaswitch.co.in , Website: www.sensaswitch.co.in