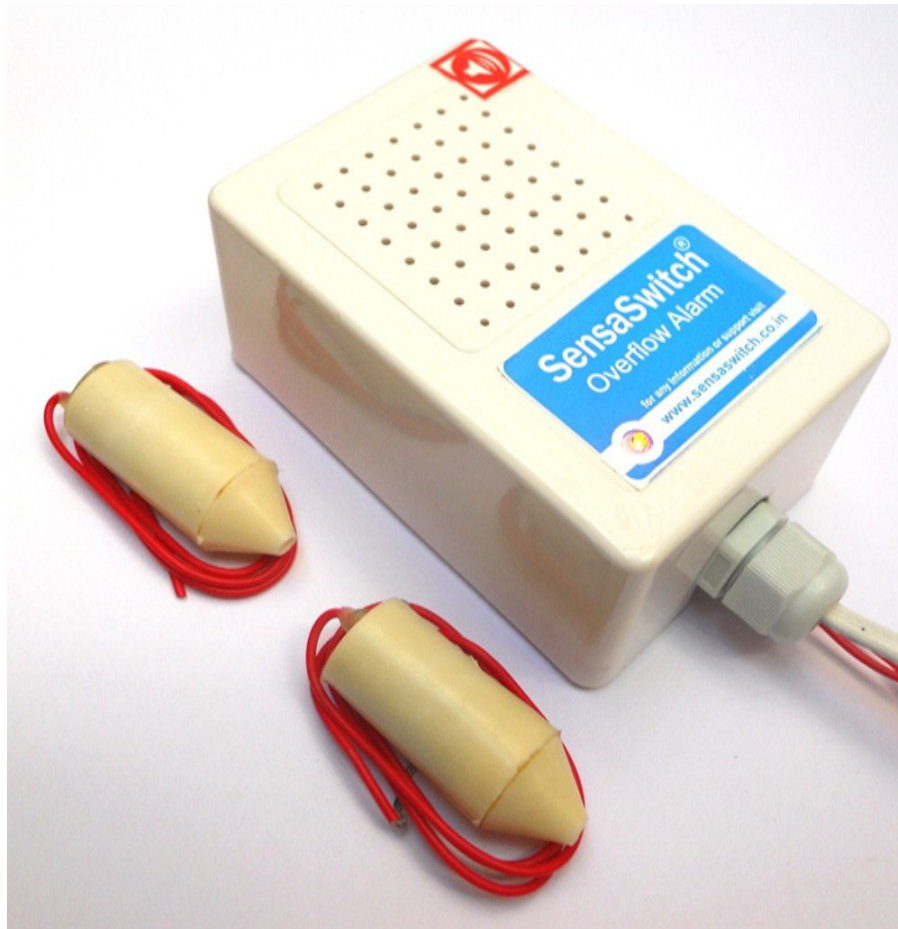


SensaSwitch – Overflow Control Alarm

Model – OCA



Control Function

- It helps you stop overflows.
- It sounds a musical melody alarm when overhead water tank reaches full level.
- You save a lot of water and electricity by stopping overflows.

Important Features

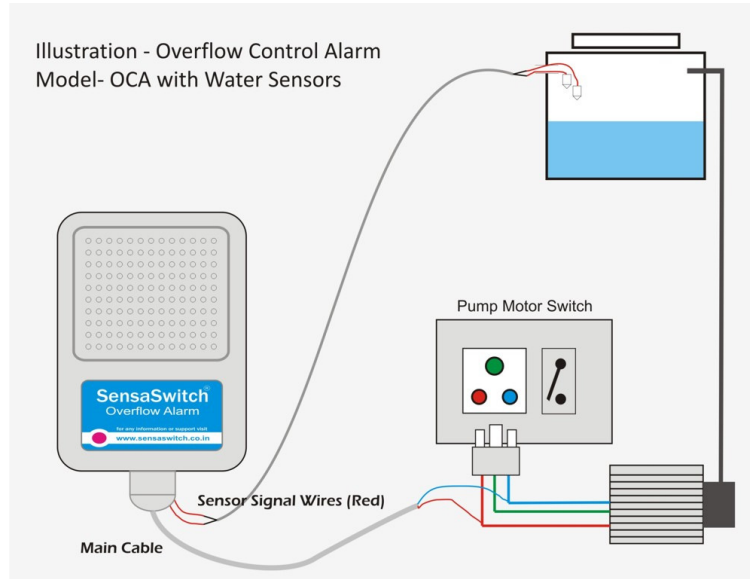
- Completely safe, uses transformer supply for fool proof insulation from mains.
- Maintenance free, water sensors supplied need no periodic cleaning or maintenance.
- Easy to install, can be installed even by a layman with basic electrical know how and tools.
- 75-85 decibel melody alarm, as permitted by noise control regulations.

Water Sensor Set



- Maintenance free water sensors, for raw (unprocessed tap/ground/ sea) water.
- Not suitable for processed (Dm/ Ro) waters and waste (sewage / storm/ sludge) water.
- Suitable for use in water at normal ambient temperatures (5- 50 degree Celsius).

Installation & Connections



- Main control unit must be installed at a place safe from rain water and splashes.
- Water sensors should be placed in freely hanging position in water tank (no fixing required).
- To connect water sensors to main unit telephone signal wire .40mm copper is recommended.